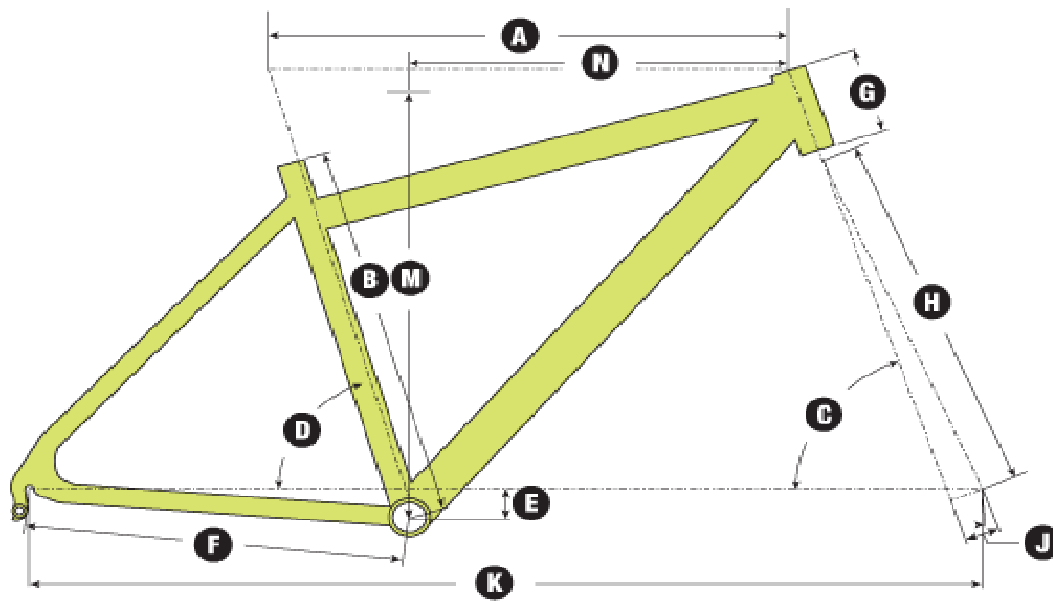


Geometry & Fit



Geometry With 140mm Fork

	Small	Medium	Large	X-Large
Recommended Rider Height	5'5" - 5'9"	5'8" - 6'0"	5'11" - 6'3"	6'2" - UP
A.Top Tube Effective	23.3 "	24.3 "	25.1 "	25.7 "
B.Seat Tube Length	16.0 "	18.0 "	20.0 "	22.0 "
C.Head Tube Angle	68.6°	68.6°	68.6°	68.6°
D.Seat Tube Angle	72.6°	72.6°	72.6°	72.6°
E.BB Drop	1.0 "	1.0 "	1.0 "	1.0 "
F.Chainstay Length	18.1 "	18.1 "	18.1 "	18.1 "
G.Head Tube Length	4.3 "	4.3 "	4.3 "	4.7 "
H.Fork Length	21.5 "	21.5 "	21.5 "	21.5 "
J.Fork Offset	45 "	45 "	45 "	45 "
K.Wheel Base	44.9 "	45.8 "	46.6 "	47.3 "
M.Stack	24.5 "	24.5 "	24.5 "	24.9 "
N.Reach	15.6 "	16.6 "	17.4 "	17.9 "
P.Stand Over	31.0 "	31.0 "	31.3 "	31.7 "

Fork is not included.

Measurements listed are based on:

- * an unsprung bike (no sag)
- * an average 140mm suspension fork
- * a 29 x 2.5" tire measuring 750m in diameter
- * standover (P) measured vertically from the top of the toptube/brace intersection (50mm forward of BB center for size SM)

Geometry With 120mm Fork

	Small	Medium	Large	X-Large
Recommended Rider Height	5'5" - 5'9"	5'8" - 6'0"	5'11" - 6'3"	6'2" - UP
A.Top Tube Effective	23.2 "	24.2 "	25.0 "	25.6 "
B.Seat Tube Length	16.0 "	18.0 "	20.0 "	22.0 "
C.Head Tube Angle	69.5°	69.5°	69.5°	69.5°
D.Seat Tube Angle	73.5°	73.5°	73.5°	73.5°
E.BB Drop	1.3 "	1.3 "	1.3 "	1.3 "
F.Chainstay Length	18.1 "	18.1 "	18.1 "	18.1 "
G.Head Tube Length	4.3 "	4.3 "	4.3 "	4.7 "
H.Fork Length	20.7 "	20.7 "	20.7 "	20.7 "
J.Fork Offset	1.8 "	1.8 "	1.8 "	1.8 "
K.Wheel Base	44.6 "	45.6 "	46.4 "	47.0 "
M.Stack	24.2 "	24.2 "	24.2 "	24.6 "
N.Reach	16.0 "	17.0 "	17.8 "	18.3 "
P.Stand Over	30.6 "	30.5 "	31.0 "	31.4 "

Fork is not included.

Measurements listed are based on:

- * an unsprung bike (no sag)
- * an average 120mm suspension fork
- * a 29 x 2.5" tire measuring 750m in diameter
- * standover (P) measured vertically from the top of the toptube/brace intersection (50mm forward of BB center for size SM)